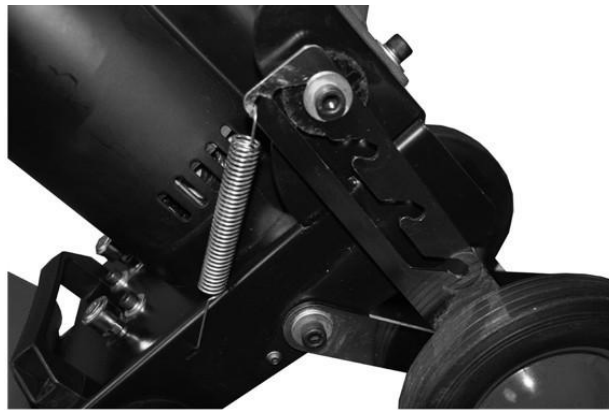




TFS230 FLOOR STRIPPER



OPERATION & MAINTENANCE



TRELAWNYTM

SURFACE PREPARATION TECHNOLOGY

www.trelawnspt.com

SAFETY

General Information

Thank you for your purchase of the Trelawny TFS230 Floor stripper.

Before operating the TFS230 this manual must be read and understood by the operator, if in any doubt ask your supervisor before using this equipment. Failure to follow these instructions could result in damage to the TFS230 and/or personal injury.

Trelawny SPT Ltd disclaims all responsibility for damage to persons or objects arising as a consequence of incorrect handling of the tool, failure to inspect the tool prior to starting work for damage or other faults that may influence the operation or safe working of the tool, or failure to follow the safety regulations listed or applicable to the job site.

The machine is primarily designed for the removal of bonded carpet, vinyl, linoleum, cork and other floor covering. It can be used for removal of compacted soil from fork lift truck areas or solidified printing ink etc.

Operators should be familiar with the data given in the specification section.

Please keep these instructions in a safe and accessible place.

Safety Precautions

Do wear Personal Protective Equipment including safety goggles, footwear, ear defenders and gloves. In some environments it will be necessary to wear facemasks or breathing apparatus.

Do ensure that this tool is lubricated daily.

Do be aware that this tool can create dust and flying debris.

Do be aware of others working around you.

Do keep hands and clothing away from moving parts.

Do store this tool in a secure and dry environment.

Always observe safe working practices and local safety regulations at all times.

Do not allow the tool to run unattended.

Do not modify this tool in any way, as this will invalidate the warranty and could lead to serious injury.

Do not use this tool in potentially explosive environments.

Do not use petrol (gasoline), thinners or any other high flash point solvent to clean the tool.

Ensure that the work place is well ventilated. Avoid using a fuel powered generator in an enclosed area, since engine exhaust gases are poisonous.

Safety

WEAR SAFETY BOOTS, FACE MASK, SHATTERPROOF GLASSES, HELMET, GLOVES and any other personal protective equipment required for the working conditions. Avoid loose clothing; this may become trapped in moving parts and cause serious injury.

ENSURE THAT THE WORK PLACE IS WELL VENTILATED.

BEWARE OF MOVING BLADE, serious injury could occur if the stripper blade is brought into contact with body parts during operation.

DO NOT OPERATE ELECTRIC VERSIONS IN WET CONDITIONS.

CAUTION THIS MACHINE IS HEAVY. It weighs 45kg / 99lbs.

Do not lift this machine manually.

Risk of Hand-arm Vibration injury

These tools may cause Hand-arm Vibration Syndrome injury if their use is not adequately managed.

We advise you to carry out a risk assessment and to implement measures such as; limiting exposure time [i.e. actual trigger time, not total time at work], job rotation, ensuring the tools are used correctly, ensuring the tools are maintained according to our recommendations, and ensuring that the operators wear personal protective equipment [PPE] particularly gloves and clothing to keep them warm and dry.

Employers should consider setting up a programme of health surveillance to establish a benchmark for each operator and to detect early symptoms of vibration injury.

We are not aware of any PPE that provides protection against vibration injury by attenuating vibration emissions.

See 'Specifications' section for vibration emission data.

Further advice is available from our Technical Department.

We strongly advise you to visit the Health & Safety Executive website <http://www.hse.gov.uk/vibration> This site provides excellent advice and information on HAV and currently, includes a Hand-arm Vibration Exposure Calculator that is easy to use to work out the daily vibration exposure for each of your operators.

ASSEMBLY INSTRUCTIONS

There are three main parts:

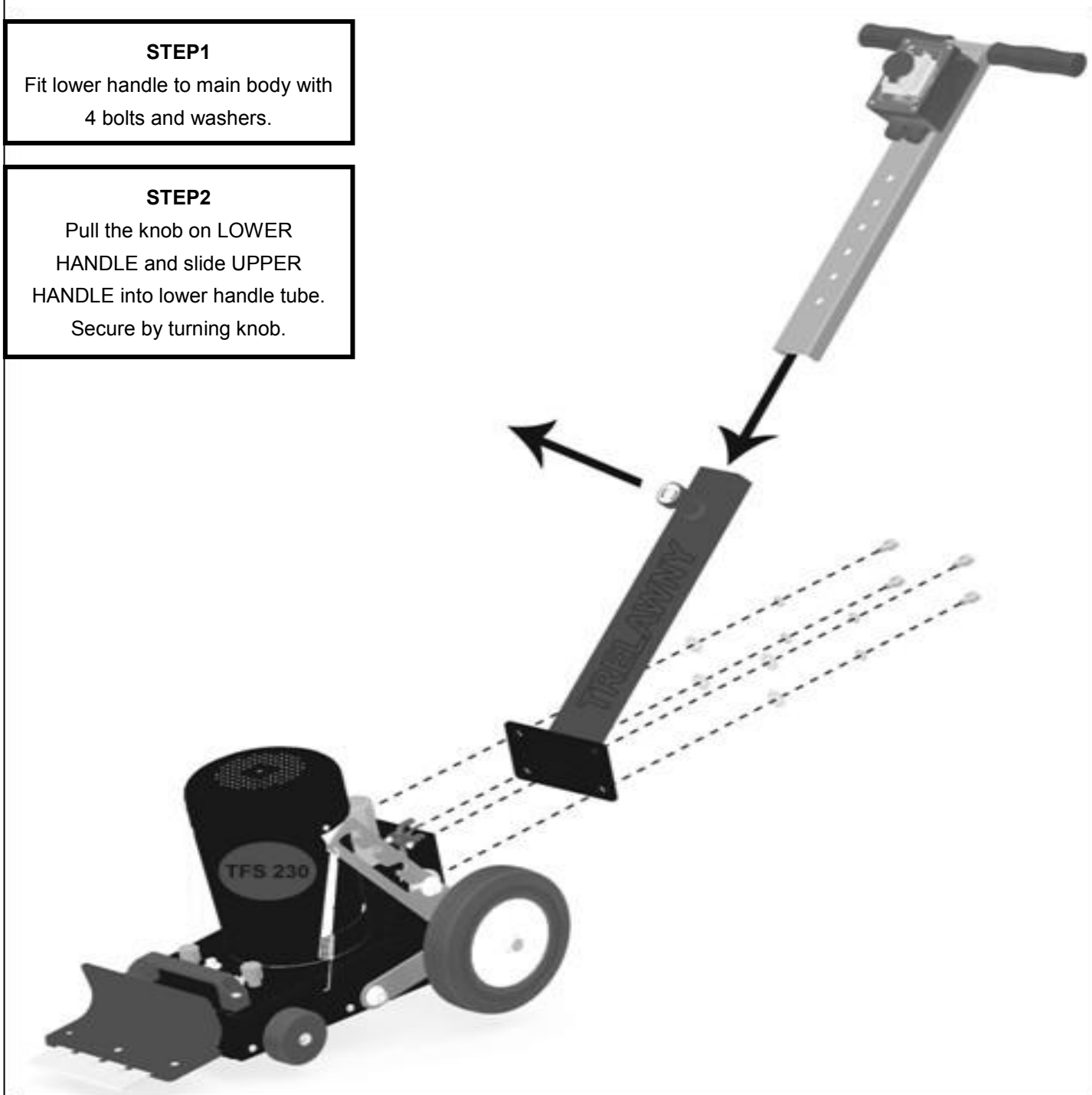
1. Main body
2. Lower handle
3. Upper handle

STEP1

Fit lower handle to main body with 4 bolts and washers.

STEP2

Pull the knob on LOWER HANDLE and slide UPPER HANDLE into lower handle tube. Secure by turning knob.



HANDLE ADJUSTMENT

Adjust handle up and down by unscrewing the knob and pulling it out slightly and sliding the upper handle to the desired height. Secure it after you set the handle height.

STEP 1:
Loosen the knob
and pull

STEP 2:
Set the handle height
to a desired height

STEP 3:
Secure the knob
after setting height



LOWEST POSITION

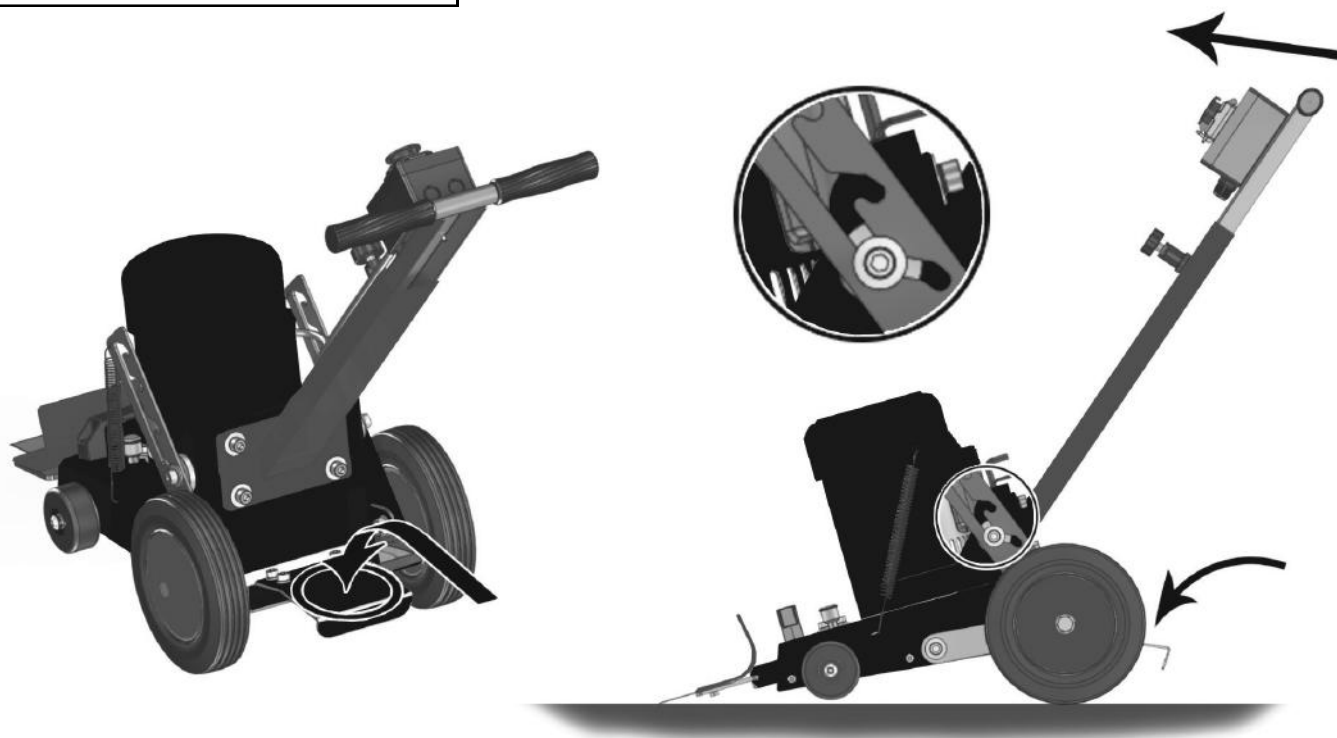


HIGHEST POSITION

BLADE ANGLE ADJUSTMENT

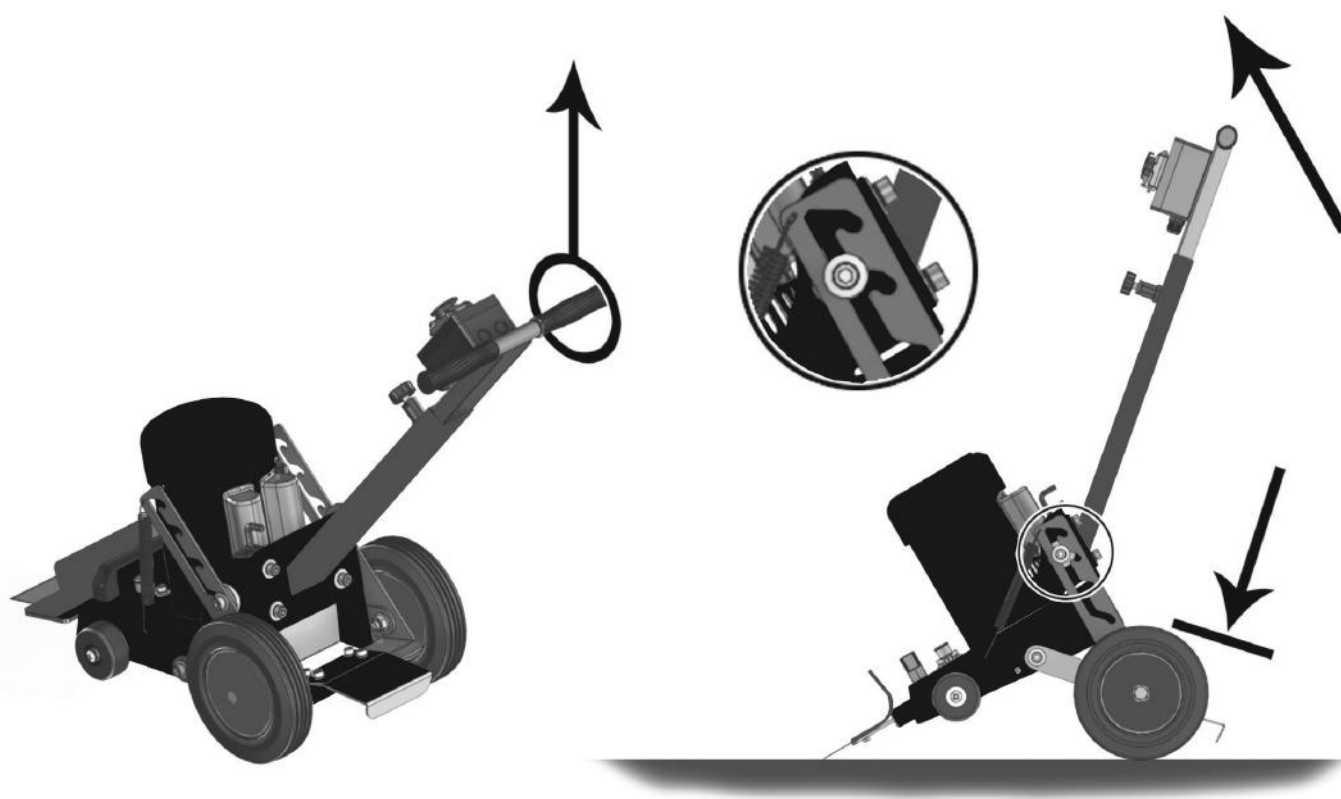
Step 1:

Place foot on the rear pedal and then push the handle forward.



Step 2:

When you reach the required angle remove foot from the pedal and the adjustment mechanism engage.



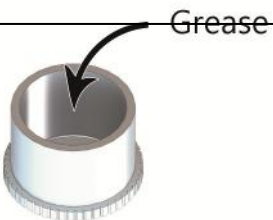
MAINTENANCE

LUBRICATION

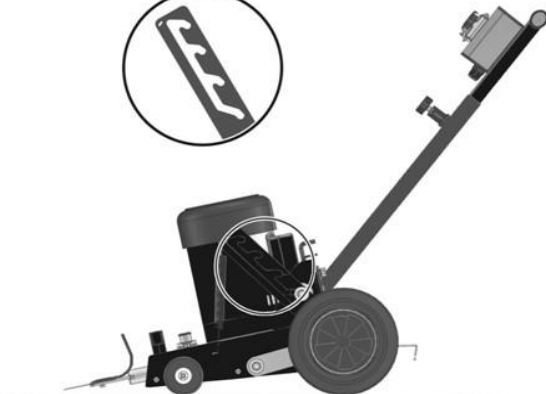
Turn grease cap clockwise to lubricate the slide mechanism on a daily basis (See diagram below)



If the cap is fully tightened, refill with grease. Turn anti-clockwise and remove and replenish. (See diagram below)



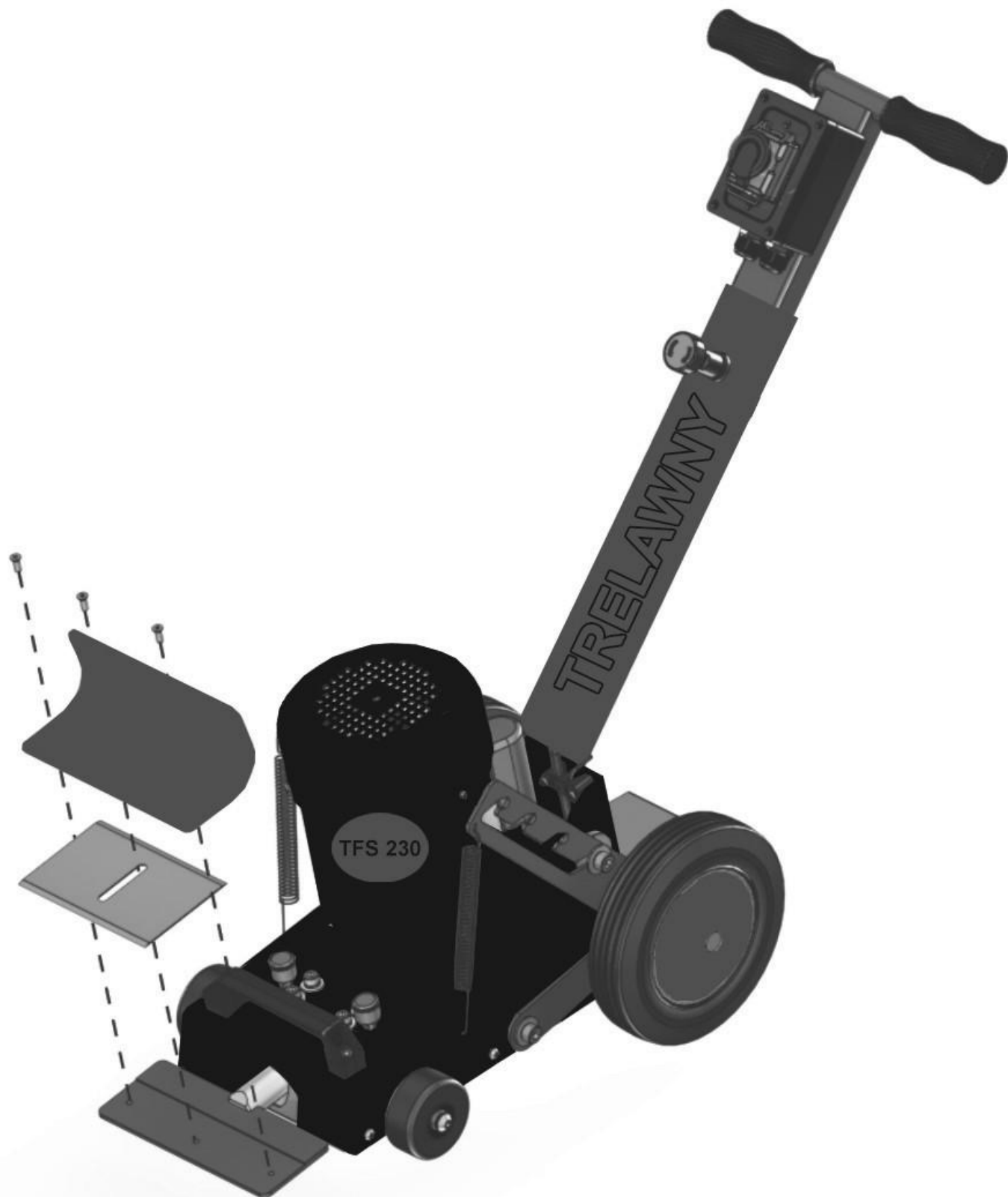
Lightly oil the adjustment mechanism regularly to ensure smooth operation. (See diagram below)



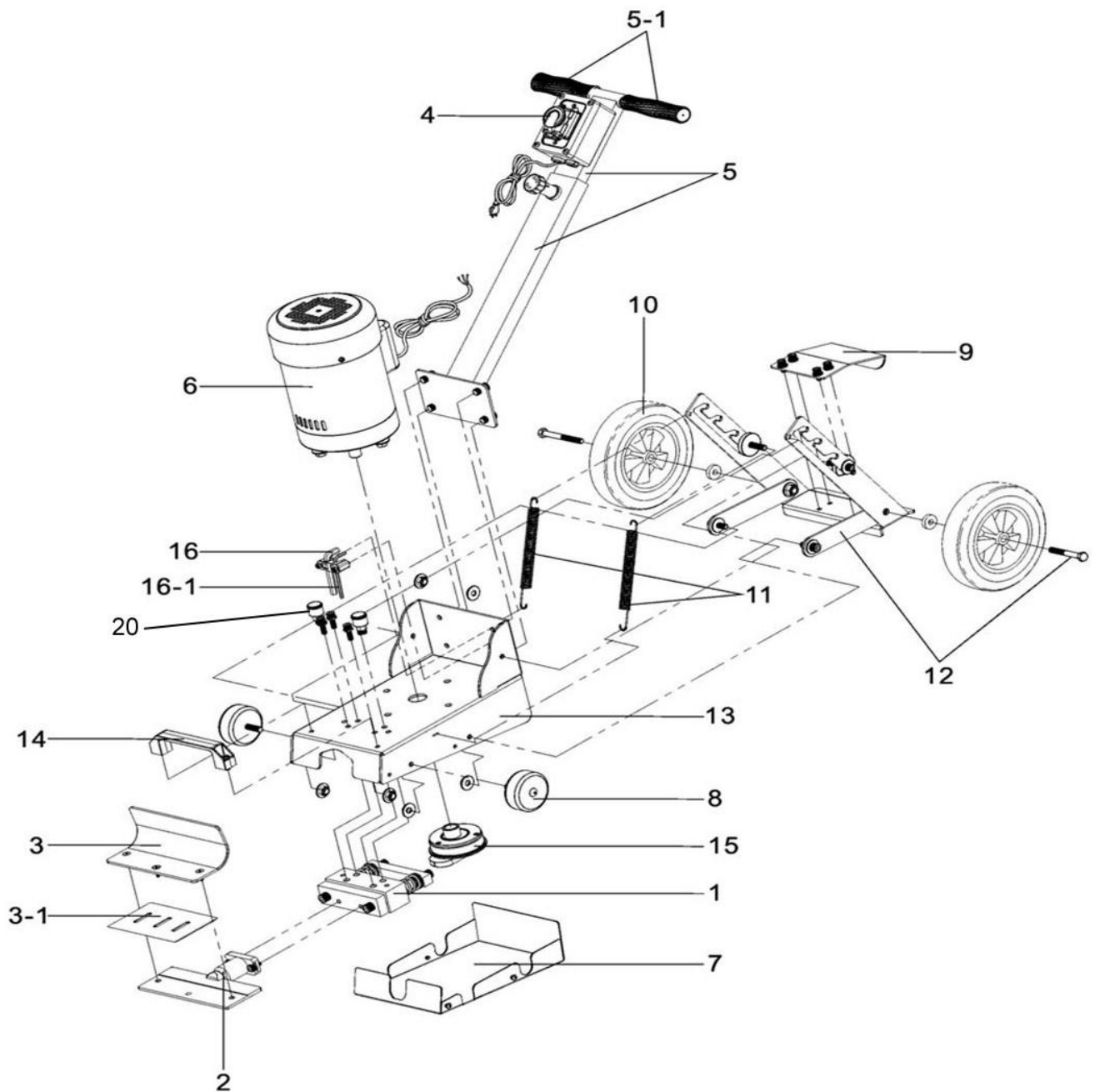
MAINTENANCE

BLADE REPLACEMENT

Loosen the three Allen screws on top of the blade holder which clamp the blade in position, remove blade holder and replace the blade. Replace the holder, replace and tighten the retaining screws.



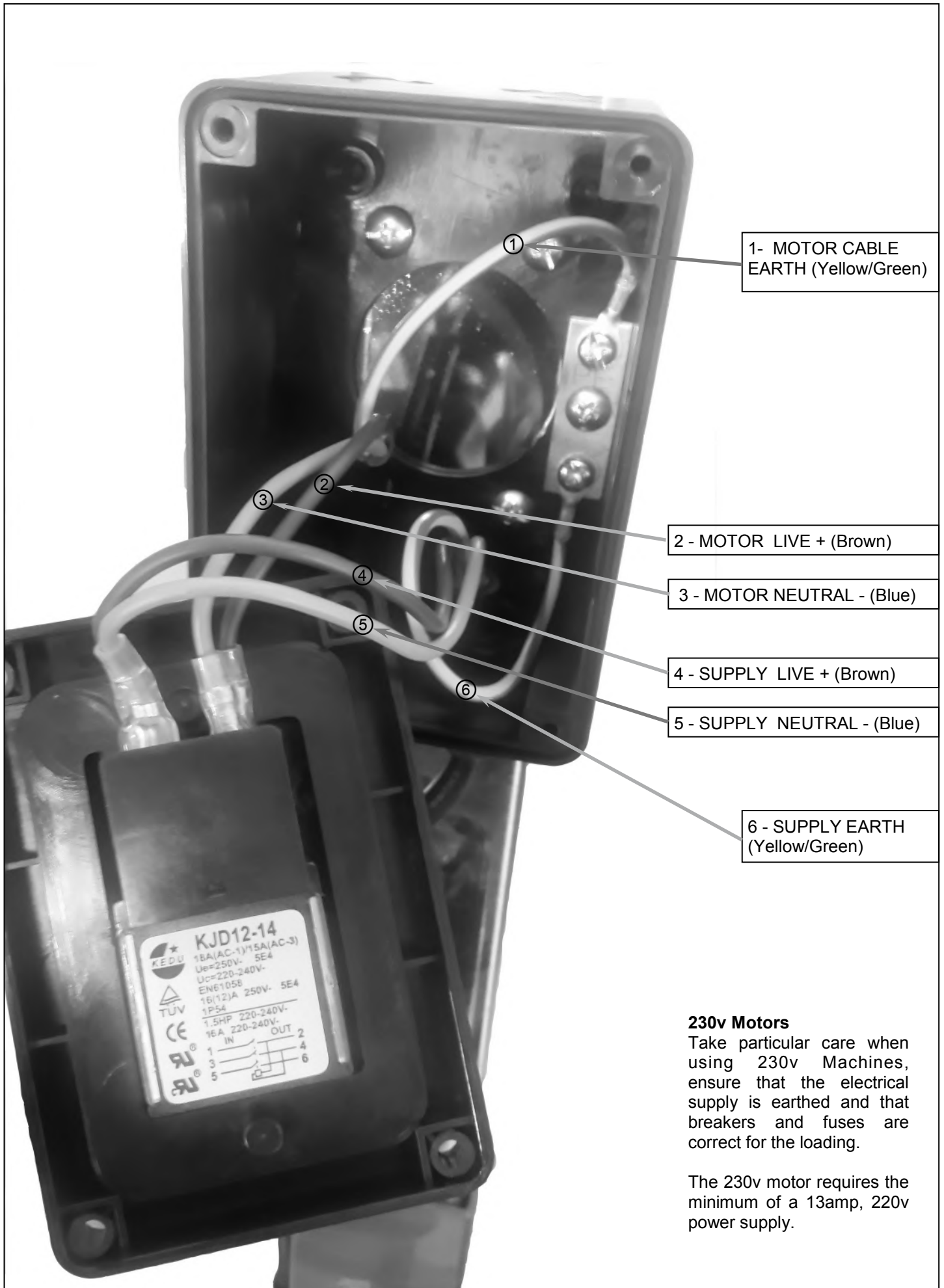
EXPLODED VIEW



PARTS LIST

ITEM No	PART No	DESCRIPTION
1	323.9220	Sliding set
2	323.9225	Blade holder fixing set
3	323.9230	Blade holder set
3-1	323.3509A	Blade
	323.3509	Blades (Pack of 5)
4	323.9168	Switch box, CW/Switch and power lead
5	323.9103	Handle set
5-1	323.2000	Rubber handle set
6	323.9167	110v Motor
	323.9146	220v Motor
7	323.9102	Bottom cover
8	323.9120	Front wheel, 2 x pcs/set
9	323.9201	Pedal
10	323.9121	Rear wheel, 2 x pcs/set
11	323.9118	Spring, 2 x pcs/set
12	323.9110	Rear wheel support
13	323.2021	Main chassis assembly
14	323.9105	Front handle set
15	323.9116	Eccentric bearing housing set
16	805.0801	8mm Hex Allen key
16-1	805.0401	4mm Hex Allen key
20	323.9236	Grease Cap assembly

WIRING DIAGRAM



1- MOTOR CABLE
EARTH (Yellow/Green)

2 - MOTOR LIVE + (Brown)

3 - MOTOR NEUTRAL - (Blue)

4 - SUPPLY LIVE + (Brown)

5 - SUPPLY NEUTRAL - (Blue)

6 - SUPPLY EARTH
(Yellow/Green)

230v Motors

Take particular care when using 230v Machines, ensure that the electrical supply is earthed and that breakers and fuses are correct for the loading.

The 230v motor requires the minimum of a 13amp, 220v power supply.

TECHNICAL SPECIFICATIONS

Length x Width x Height (inc extended handle and wheels)	100mm x 86mm x 35mm	39.5" x 34" x 13.5"
Blade width	230mm	7"
Weight	45kg	99 lbs
Electric motors		
Power	1500watts	2hp
RPM	1420	
Voltage / Amperage	110V (15amp)	230V (9amp)
Noise emission in accordance with EN ISO 15744: 2008 and ISO 3744:2010		
Noise levels:		
L _{pA}	82 dba	
Vibration emission measured in accordance with EN ISO 20643:2005		
Vibration (AEQ) at handle:	11.5m/s ²	

Machinery Directive Information

This tool has been designed and produced in accordance with the following directives:

2006/42/EC Machinery Directive

If your company has any problem with our products or would like to discuss the possibility of an improvement being made to them, then please do not hesitate to contact us. Your comments are both important and appreciated.

All rights reserved. Any unauthorised use or copying of the contents or part thereof is prohibited.

This applies to trademarks, model denominations, part numbers and drawings.

Use only genuine Trelawny spares.

The use of non-Trelawny spare parts invalidates the warranty.



INVESTOR IN PEOPLE



MEMBER

TRELAWNY

SURFACE PREPARATION TECHNOLOGY

ISO 9001
BUREAU VERITAS
Certification



Trelawny SPT Ltd
Trelawny House, 13 Highdown Road, Sydenham Industrial Estate, Leamington Spa, Warwickshire,
CV31 1XT, United Kingdom
Telephone: +44 (0)1926 883781
Fax: +44 (0)1926 450352
Email: sales@trelawny.co.uk
Website: www.trelawnyspt.com